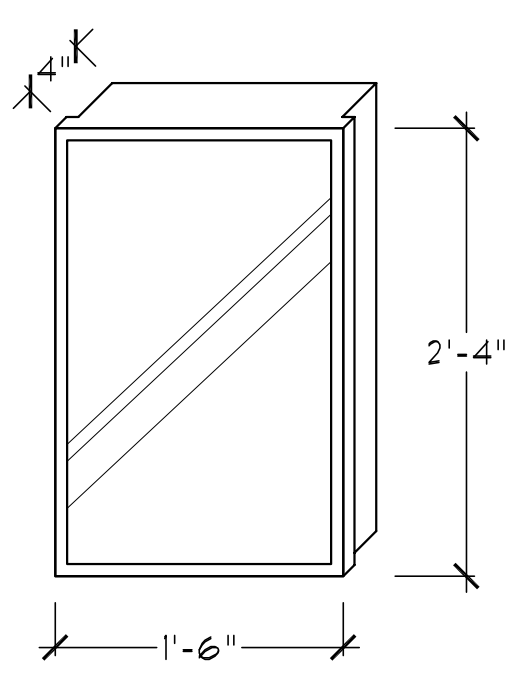
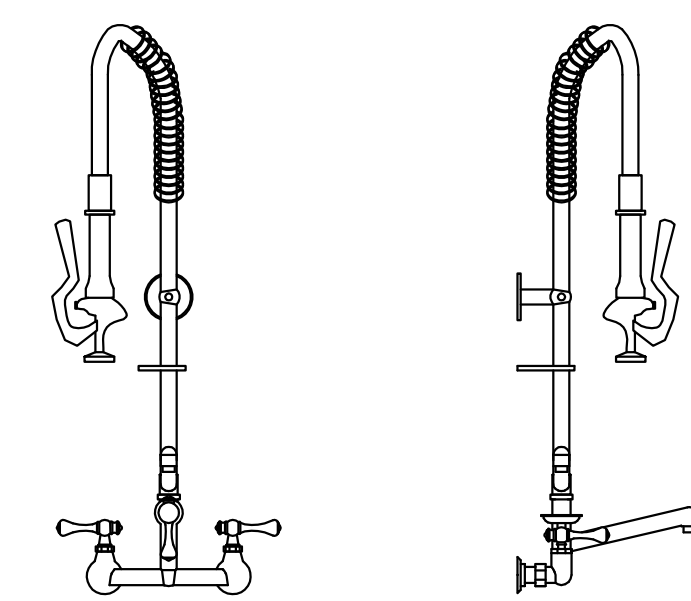


'SHARP' MICROWAVE DRAWER MODEL KB-6014LS



CHROME FRAME INSET MEDICINE CABINET BY RESTORATION HARDWARE



Z-LINE PRE-RINSE SPLASH MOUNT / 8" CENTER / COMMERCIAL KITCHEN FAUCETS WITH WALL BRACKET AND ADD-ON FAUCET